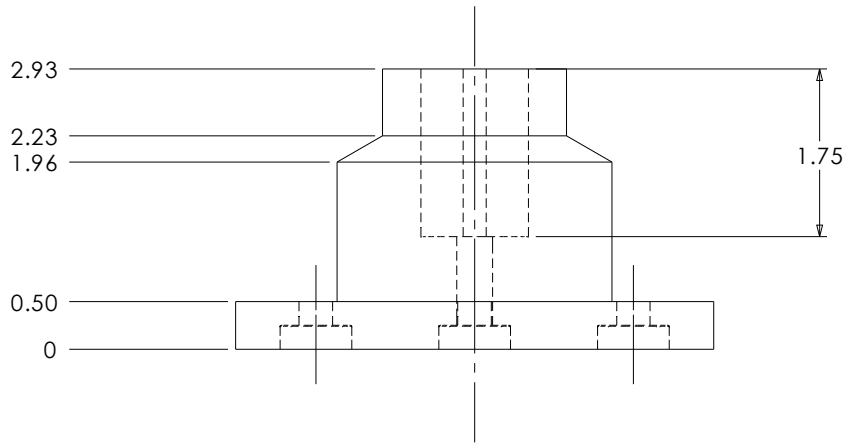
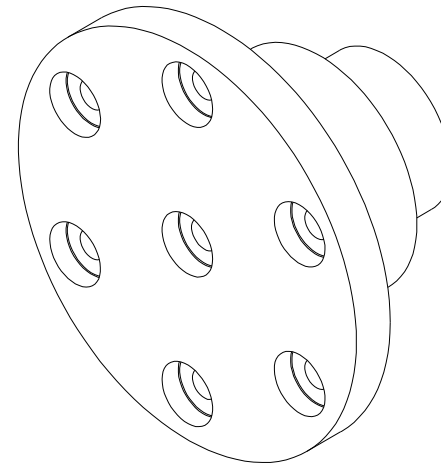
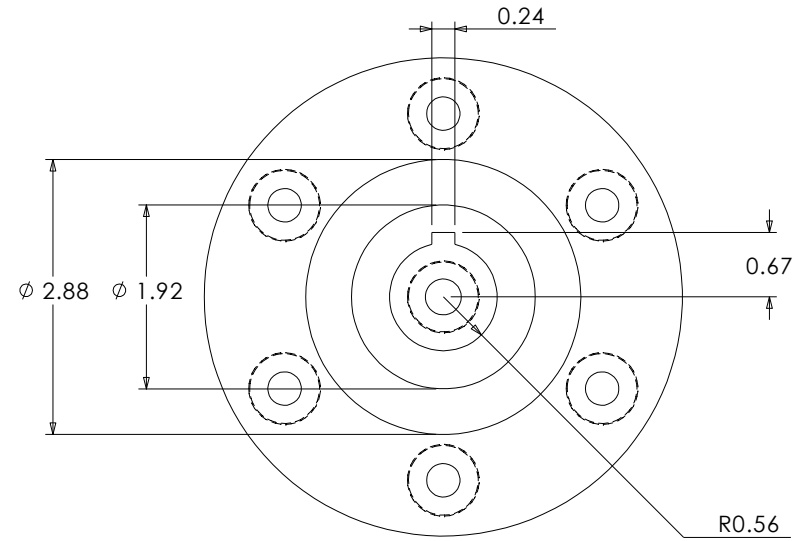
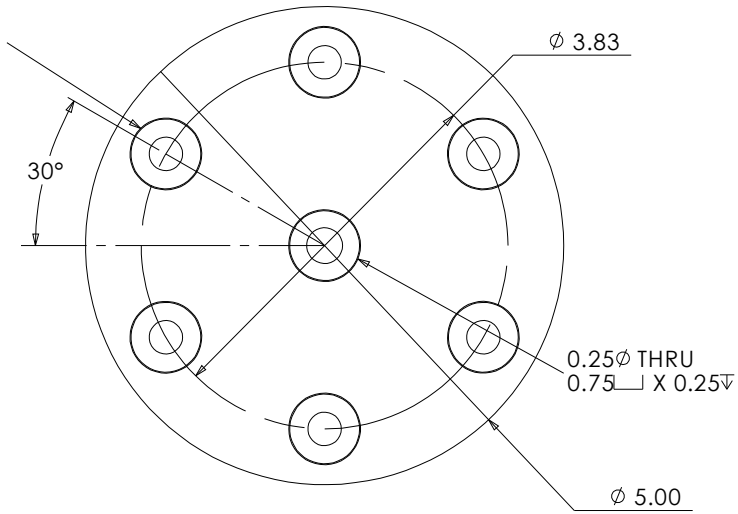


0.35 ϕ THRU
 0.73 \perp X 0.5 ∇
 6X ON R1.917



DIMENSIONS ARE IN INCHES
 TOLERANCES: \pm .003
 ANGULAR: \pm .1
 TWO PLACE DECIMAL \pm .01
 THREE PLACE DECIMAL \pm .003

	NAME	DATE
DRAWN	N.S.L.Smith	03/16/2005
CHECKED	J. JOLLY	03/16/2005

COMMENTS:
 DO NOT SCALE DRAWING

BJ CANE Design Team

SECONDARY BUSHING

SIZE	REV
A	A

12Mar05 Bushing (Secondary).SLDDRW

SCALE	P/N:	SHEET
1:2	BUSH 2	1 OF 1